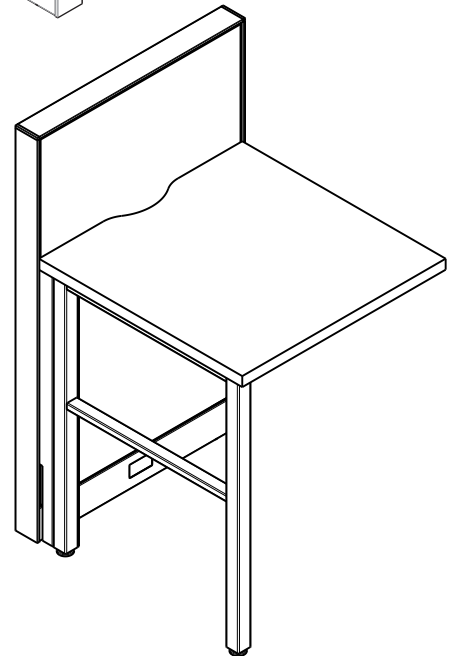
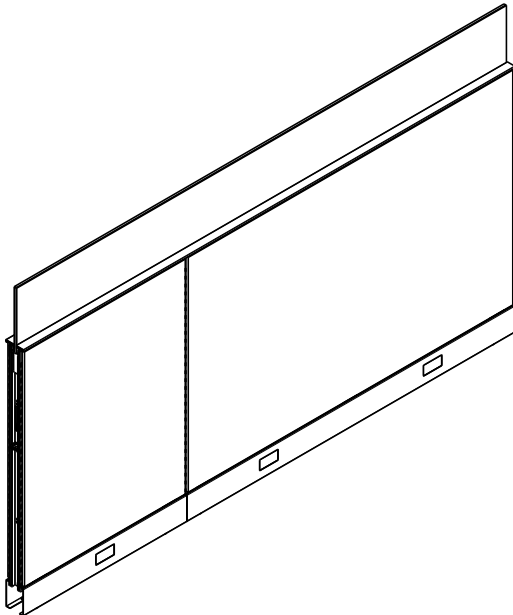
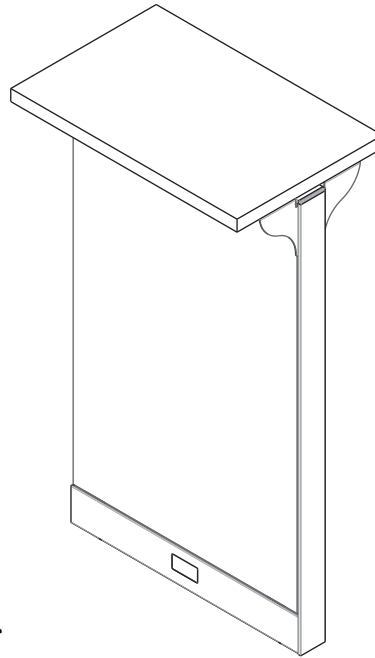
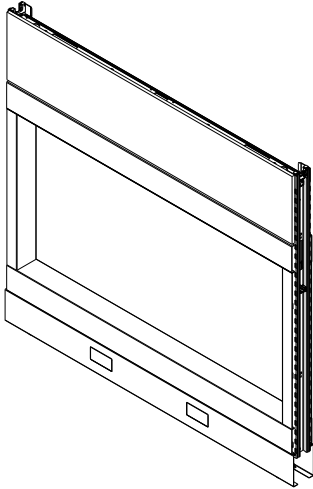


EMERGE

Supplemental Installation Instructions



Contents	
Pass-Thru Tile Installation	2
Frameless Glass Installation	3
Panel Mount Open Leg Installation	6
Cantilevered Countertop Installation	7

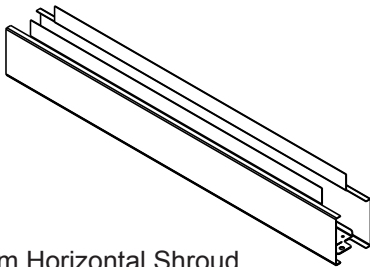


⚠ WARNING

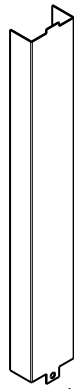
Failure to install product as instructed, use of hardware other than that which is provided, or failure to comply with instructions can result in product failure, personal injury, or property damage.

Illustration 1: Installing Pass-Thru Tile**Illustration 1 - Pass-Thru Parts**

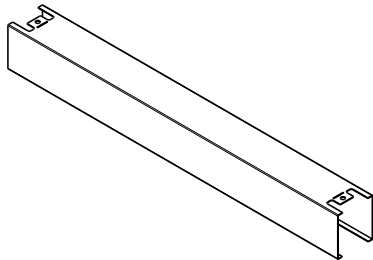
Top Horizontal Shroud



Vertical Shroud



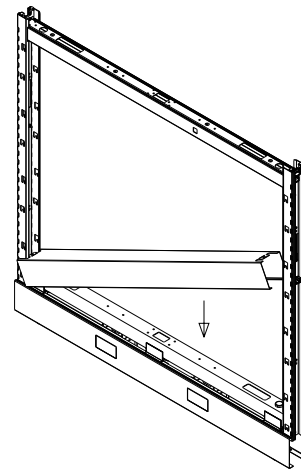
Bottom Horizontal Shroud



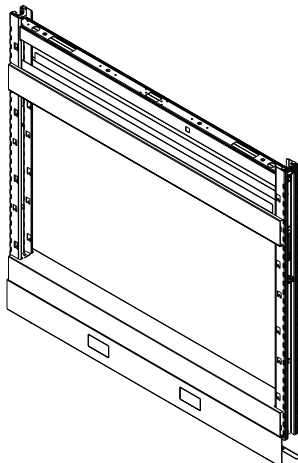
Bottom Tab

Illustration 1a - Install Bottom Horizontal Shroud

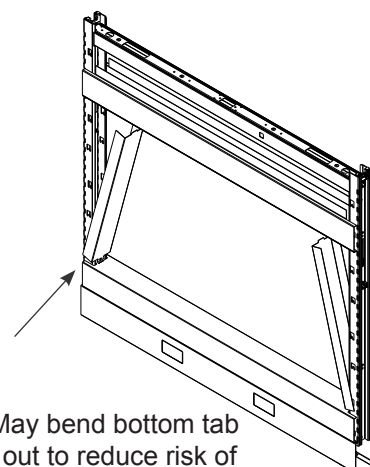
Step 1 - Position Bottom Horizontal Shroud at an angle between panel vertical members. Lower to rest on bottom panel horizontal bar.

**Illustration 1b - Install Top Horizontal Shroud**

Step 2 - Position Top Horizontal Shroud at an angle between panel vertical members. Hold parallel to Bottom Horizontal Shroud

**Illustration 1c - Install Vertical Shrouds**

Step 3 - Place Vertical Shroud over each panel vertical member. Insert the bottom tab into the Bottom Horizontal Shroud slot.



Note - May bend bottom tab out to reduce risk of scratching and assist in installation.

Illustration 1: Installing Pass-Thru Tile Continued

Illustration 1d - Position Top Horizontal Shroud

Step 4 - Lower Top Horizontal Shroud on to Vertical Shroud. Ensure the shorter tabs on the Vertical Shroud are inserted into the slots in the Top Horizontal Shroud and completely seated

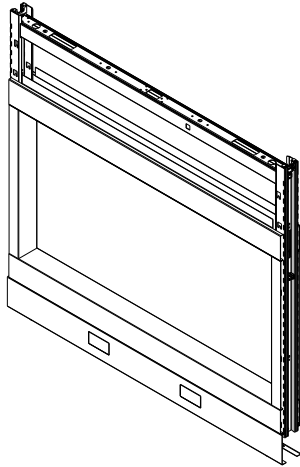
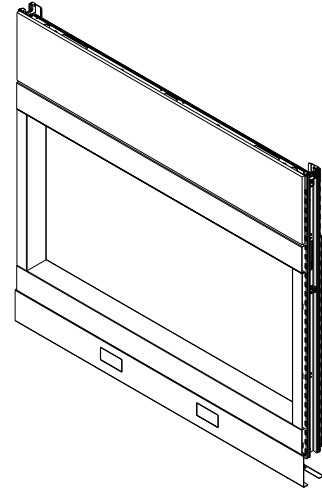


Illustration 1e - Completed Pass-Thru

Step 5 - Install 7" tile



Note:

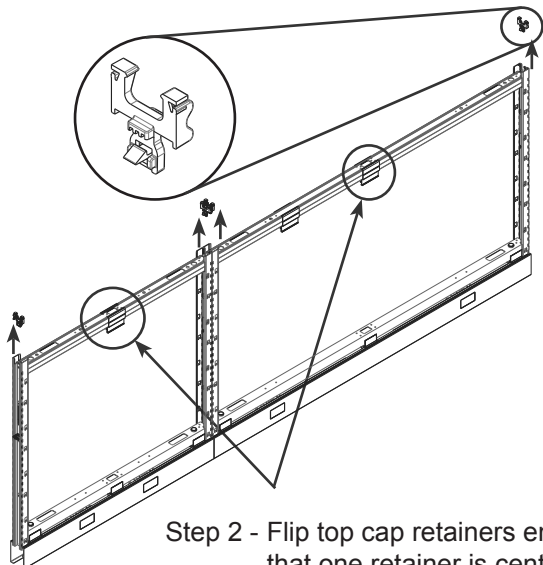
Tile is installed directly above the Pass-Thru. Engages on to the Top Horizontal Shroud.

*** A Segment Bar is not installed above the Pass-Thru Assembly.**

Illustration 2: Installing Frameless Glass

Illustration 2a - Remove Top Cap End Clips

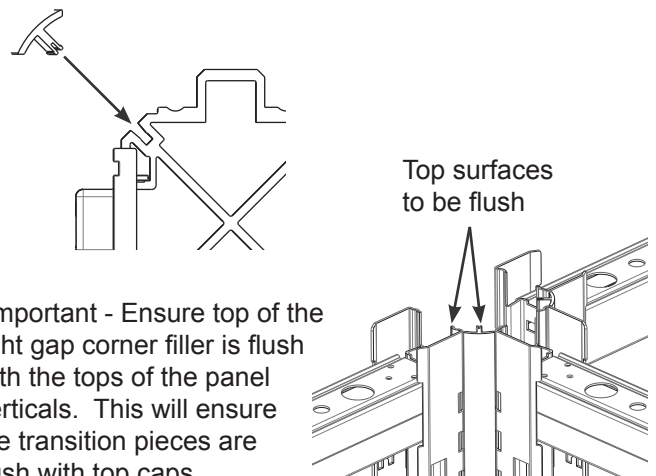
Step 1 - Remove top cap end clips from panel frame and recycle.



Step 2 - Flip top cap retainers ensuring that one retainer is centered along each top horizontal.

Illustration 2b - Install Light Gap

Step 3 - Install light gap corner filler into connector blocks.



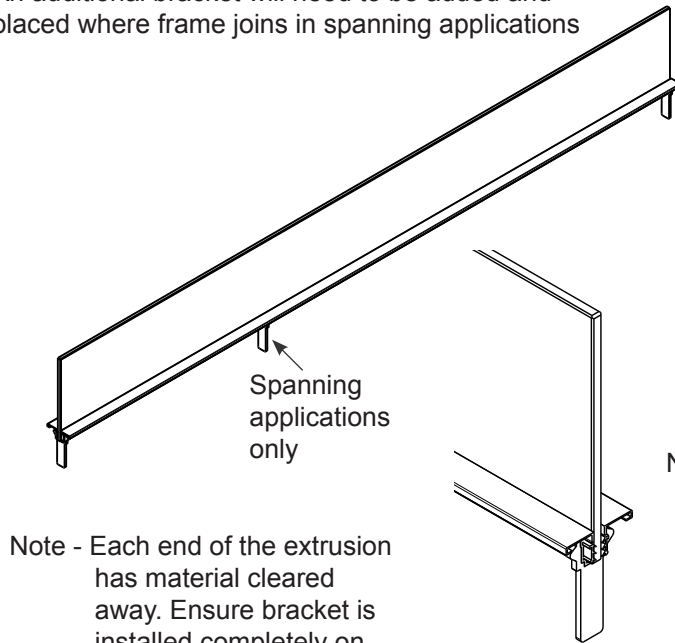
***Important** - Ensure top of the light gap corner filler is flush with the tops of the panel verticals. This will ensure the transition pieces are flush with top caps

***Important** - Proceed with tile installation before continuing with next steps

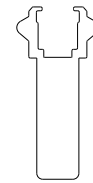
Illustration 2: Installing Frameless Glass Continued

Illustration 2c - Install Attachment Brackets

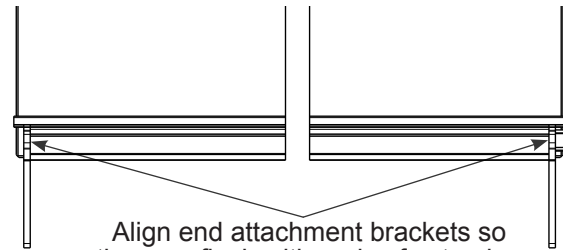
Step 4 - Fit an attachment bracket around the channel profile. Install attachment brackets at ends of extrusion. An additional bracket will need to be added and placed where frame joins in spanning applications



Note - Each end of the extrusion has material cleared away. Ensure bracket is installed completely on the extrusion



Attachment Bracket



Note - Top of bracket fits around extrusion channel. Bracket is a friction fit and should be tight

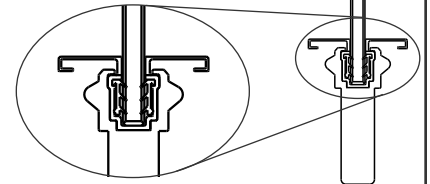
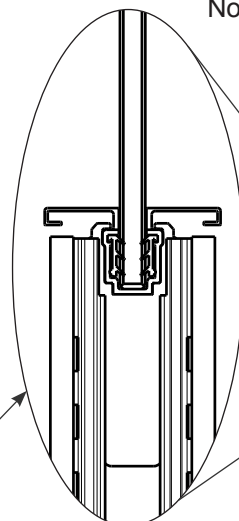
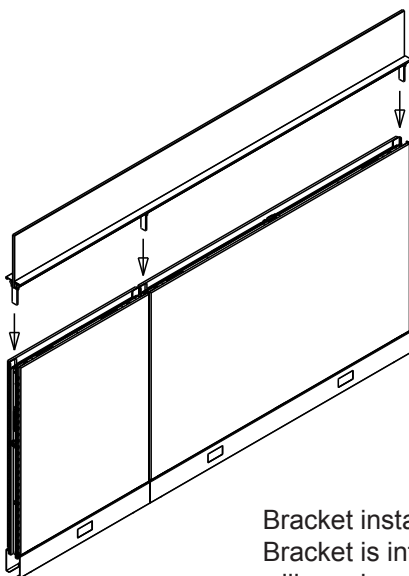


Illustration 2d - Install Frameless Glass

Step 5 - Align frameless glass assembly so the attachment brackets will insert into the panel frame vertical

Step 6 - Lower frameless glass assembly until the brackets are fully seated in the panel frame vertical

Note - To avoid binding, install assembly level across panel



Bracket installed into the panel frame vertical. Bracket is intended to have interference and will require additional force to fully seat as shown

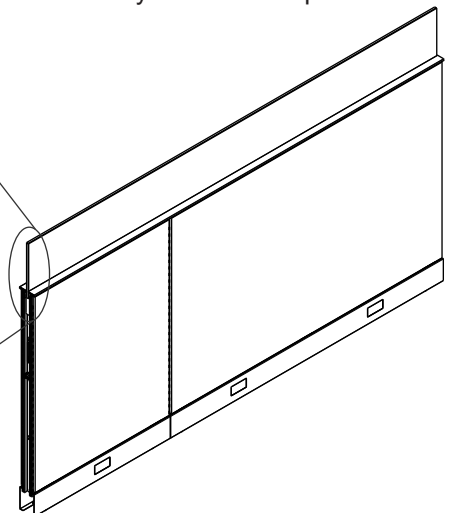


Illustration 2: Installing Frameless Glass Continued

Illustration 2e - Modify Transitions Pieces

Step 7 - Using Pliers or channel locks, break tab off in a downward direction on end trim transition piece

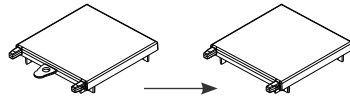
***Important** - All transition pieces will only require Step 7 if they are inserting into the frameless glass extrusion. The different transition pieces are displayed



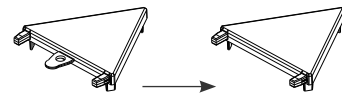
END OF RUN TRANSITION



GROOVED HI-LOW TRANSITION



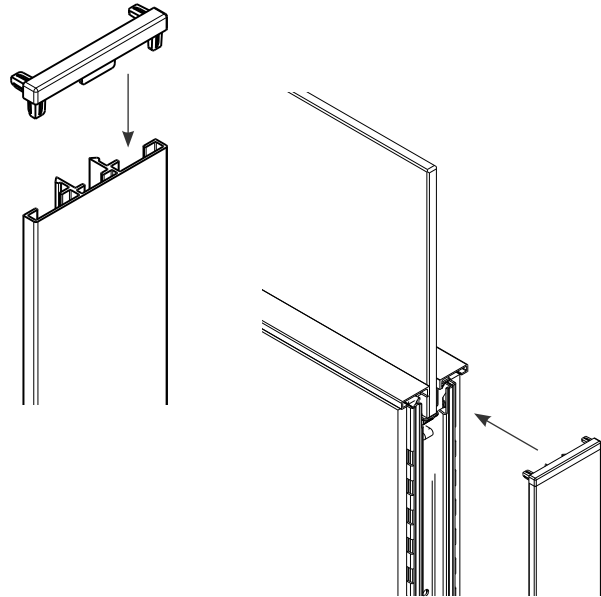
UNIVERSAL SQUARE TRANSITION



UNIVERSAL 120 DEGREE TRANSITION

Illustration 2f - End of Run Transition Piece & End Trim

Step 8 - Install Transition Piece into End Trim



Step 9 - Install End of Run Transition Piece into Frameless Glass Flat Top Cap. Press End Trim into place.

Illustration 2g - Install Grooved Hi-Low End Trim

Step 10 - Slide Grooved Hi-Low End Trim between Frame and Frameless Glass. Gently use a rubber mallet to tap Grooved Hi-Low End Trim in to place

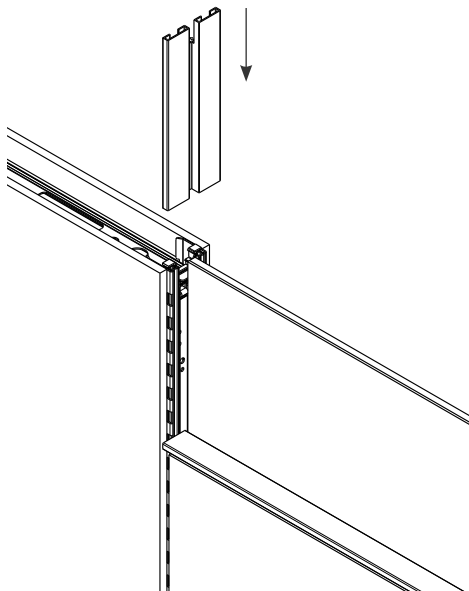
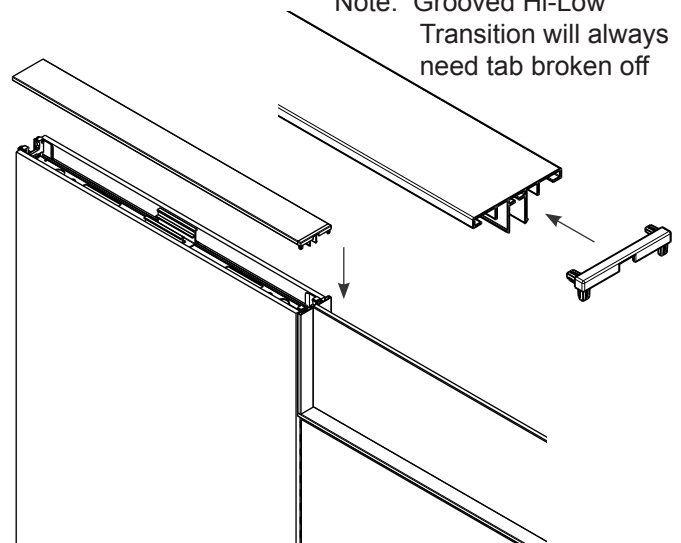


Illustration 2h - Grooved Hi-Low Transition & Topcap

Step 11 - Install Grooved Hi-Low Transition into Topcap

Note: Grooved Hi-Low Transition will always need tab broken off



Step 12 - Install Grooved Hi-Low Transition Piece into Grooved Hi-Low End Trim. Press End Topcap into place.

Illustration 4: Installing Panel Mount Open Leg

Illustration 4a - Attach Panel Attachment Bracket

Step 1 - Insert Panel Attachment Bracket tabs into the panel slots and lower bracket, hooking tabs behind panel frame.

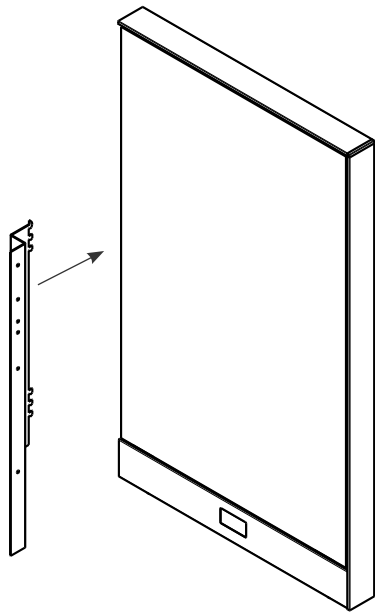
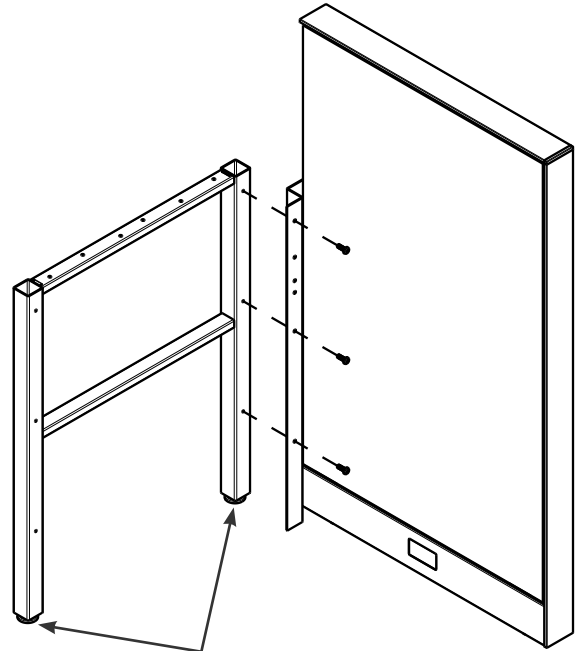


Illustration 4b - Attach Open Leg to Bracket

Step 2 - Install sheet metal screws through holes of Panel Attachment Bracket and of Open Leg



Step 3 - Turn leveling glides until flat against the floor.

Illustration 4c - Attach Open Leg to Worksurface

Step 4 - Install wood screws through the Open Leg top horizontal bar into worksurface.

Note - No pilot holes are provided

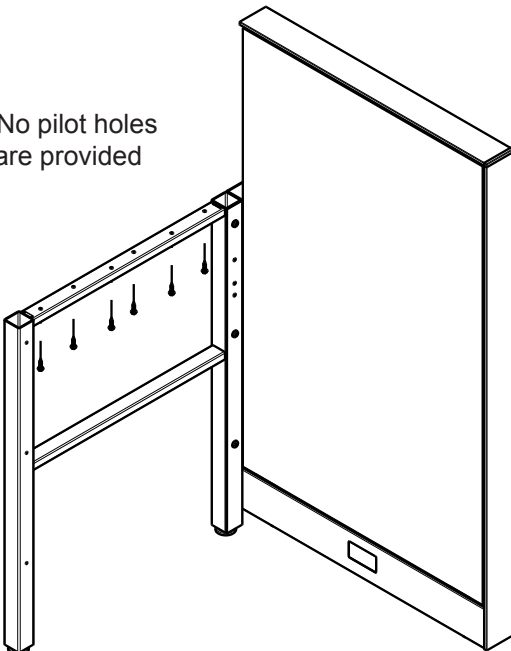


Illustration 4c - Complete Panel Mount Open Leg

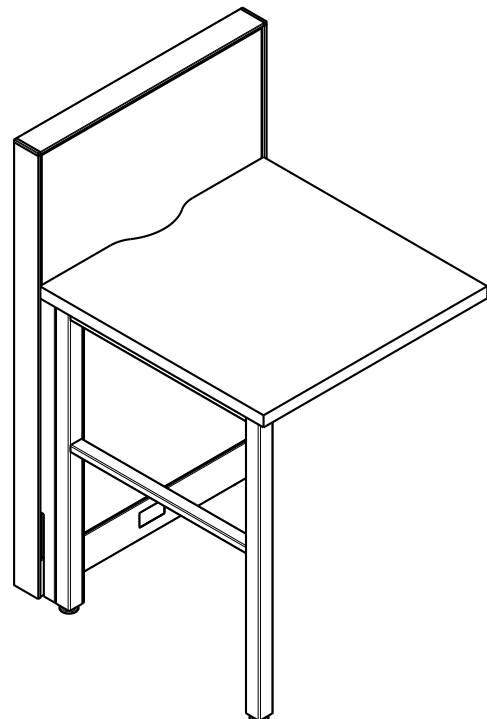
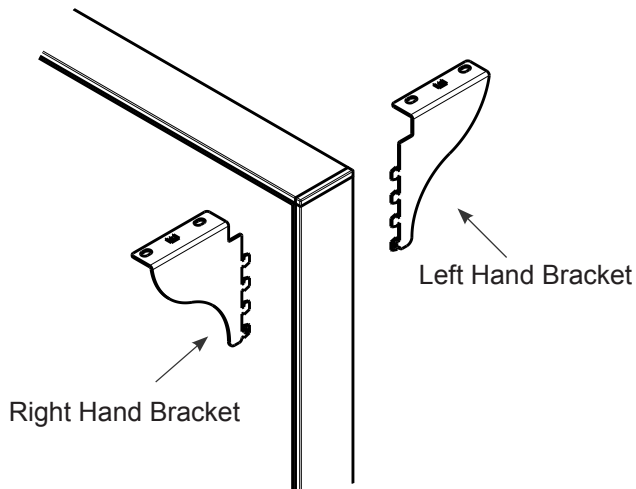
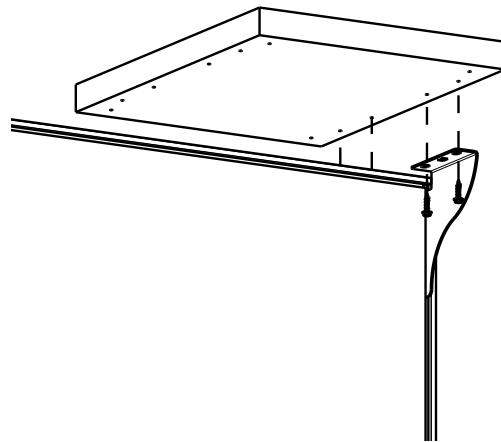


Illustration 3: Installing Cantilevered Countertops**Illustration 3a - Mount Countertop Brackets**

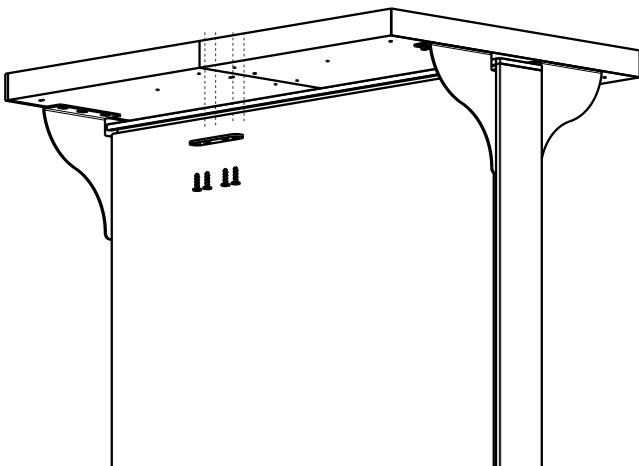
Step 1 - Mount Left Hand and Right Hand Countertop Brackets into panel slots.

**Illustration 3b - Position Countertop**

Step 2 - Position Countertop on panel. Attach Left and Right Hand Countertops Brackets to Countertops with screw provided. Do not tighten completely to allow for adjustments.

**Illustration 3c - Adjust Countertops**

Step 3 - Adjust and Align Countertops to Panels. In cases where Countertops are not joined at the end of a panel, connect Countertops with two tie brackets. (One on each side of the panel)

**Illustration 3d - Tighten all screws**

Step 4 - Once all Countertops are in position, tighten all screws.

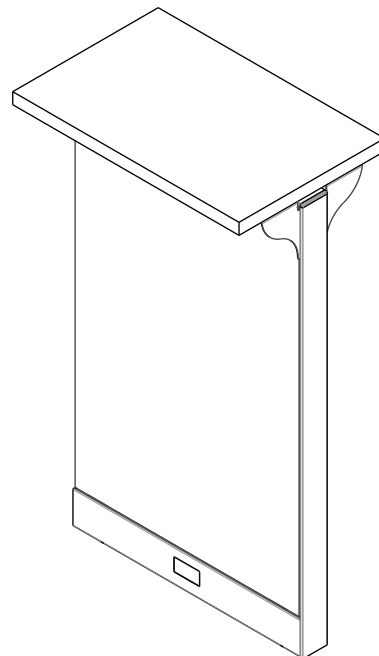


Illustration 3: Installing Cantilevered Countertops Continued

Illustration 3e - 120 Degree Bracket Locations

