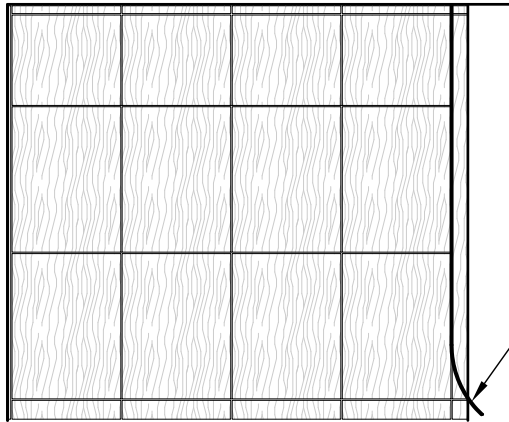


EXECUTIVE SERIES INSTALLATION INSTRUCTIONS FACE PANEL REMOVAL

1. REMOVE VERTICAL JOINT STRIP

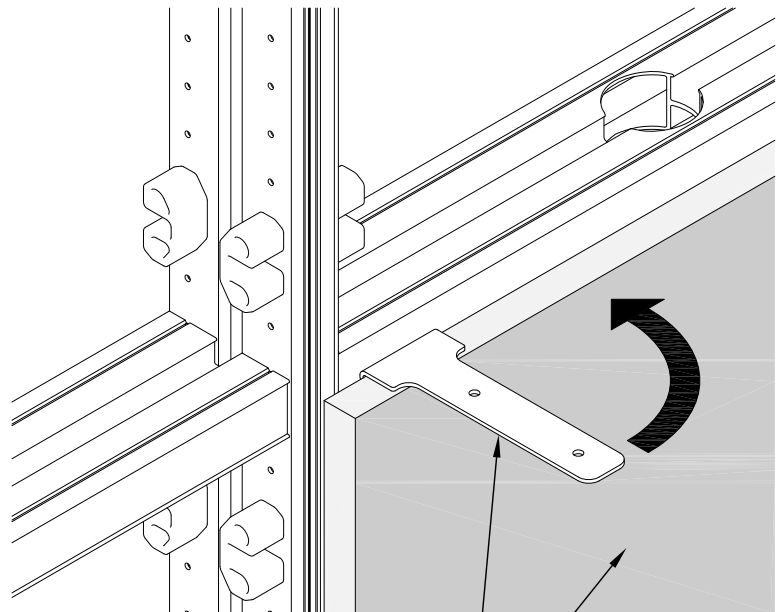
Pry out any existing vertical joint strip.



SAMPLE ELEVATION

2. REMOVE FACE PANEL

Slide a panel removal tool between the face panels at a horizontal reveal. Hook the tool behind the panel to be removed, and slide it toward the vertical reveal. Twist with a horizontal motion, until the panel clip at the corner comes free of the frame. Repeat at the other corners as necessary.



PANEL REMOVAL TOOL

FACE PANEL