

PART-1 GENERAL

1.01 DESCRIPTION

- A. Particle board core compartment work includes the following:
 - 1. Floor and ceiling anchored partitions.
- B. Furnish all labor and materials necessary for the completion of work in this section as shown on the contract drawings and specified herein.
- C. Work in this section shall include but is not limited to:
 - 1. Toilet compartments
 - 2. Hardware for toilet compartments
 - 3. Shop drawings and working drawings
 - 4. Manufacturer's guarantee
- D. Related work specified elsewhere shall include accessories and anchorage/blocking for attachment of compartments.

1.02 PRODUCTS

- A. Submittal of shop drawings and details, for architect's approval.
- B. Colors shall be selected from the manufacturer's standard range of colors.
- C. Color and hardware samples shall be submitted for approval to the architect upon request.

PART-2 PRODUCTS

2.01 MANUFACTURER

- A. Toilet compartments to be supplied by Global Partitions, Eastanollee, GA 30538.

2.02 MATERIALS

- A. Doors and panels shall be 1" thick, constructed of decorative plastic laminate, bonded with a non-toxic adhesive under pressure to a 7/8" particle board core; the laminate to be 0.050" with a matte finish; the core to be 45-pound density, resin impregnated particle board.
- B. Pilasters shall be 1-1/4" thick, constructed of decorative plastic laminate, bonded with a non-toxic adhesive under pressure to a 1-1/8" particle board core; the laminate to be 0.050" with a matte finish; the core to be 45-pound density, resin impregnated particle board.

2.03 CONSTRUCTION

- A. Doors and panels finished shall be 1". All face and edge surfaces to be covered with decorative laminate, face surfaces to overlap all edges so that joints between laminates fall on the edge surface of components only. Doors to be recessed to accept hinges within the door and yield bi-directional operation about an axis within the plane of the door.
- B. Pilasters shall be floor and ceiling anchored with a finished thickness of 1-1/4". All face and edge surfaces to be covered with decorative laminate, face surfaces to overlap all edges so that joints between laminates fall on the edge surface of components only. Pilasters shall include a mounting system comprised of 1/4" x 1" steel mounting bar attached to the pilaster in a GLOBAL PLUG LOC arrangement, having 3/8" zinc plated steel bolts secured to 1/8" thick semi cylindrical PLUG LOC imbedded within a contoured aperture transversely piercing the core. Each mounting bar shall be secured to the building structure with 3/8" zinc plated steel studs. A shoe shall conceal each floor and ceiling mounting having an internal cross section conforming to the pilaster.
- C. The color and texture of the finish on plastic laminate units is determined by the selected decorative pattern.

2.04 HARDWARE (NOTE: Refer to the ORDER INFORMATION CONTRACT for specific hardware to be supplied on your order.)

- A. All exposed door hardware shall be as noted:
 - 1. Chromium plated die cast zamac hinge shall have gravity acting cam and wrap around flanges. Slide latch, strike/keeper and hinges are through bolted onto doors and pilasters using chromium plated vandal resistant through bolts. Keeper provides for emergency access into the stall by lifting up on the bottom of the door.
 - 2. Optional: Stainless steel die cast hinge shall have gravity acting cam and wrap around flanges. Slide latch, strike/keeper and hinges are through bolted onto doors and pilasters using stainless steel vandal resistant through bolts. Keeper provides for emergency access into the stall by lifting up on the bottom of the door.
 - 3. Optional: Continuous stainless steel hinge. Slide latch, strike/keeper and hinges are through bolted onto doors and pilasters using stainless steel vandal-resistant through bolts.
- B. Panel and pilaster brackets shall be as noted:
 - 1. Stirrup brackets shall be 2 1/8" long chromium plated die cast zamac. Stirrup brackets shall be 1/8" thick and mounted with chrome plated steel vandal resistant through bolts. The attachment of brackets to the adjacent wall construction shall be accomplished with 2 1/2" chrome plated steel vandal resistant screws and plastic anchors.
 - 2. Optional: Stirrup brackets shall be 2 1/8" long die cast stainless steel. Stirrup brackets shall be 1/8" thick and mounted with stainless steel vandal resistant through bolts. The attachment of brackets to the adjacent wall construction shall be accomplished with 2 1/2" stainless steel vandal resistant screws and plastic anchors.
 - 3. Optional: Continuous heavy duty anodized extruded aluminum (6063-T5 alloy) wall brackets are pre-drilled. Wall brackets are mounted with chromium plated steel vandal resistant through bolts. The attachment of brackets to the adjacent wall construction shall be accomplished with 2 1/2" chromium plated steel vandal resistant screws and plastic anchors.
 - 4. Optional: Continuous heavy duty stainless steel wall brackets are pre-drilled. Wall brackets are mounted with stainless steel, vandal resistant through bolts. The attachment of brackets to the adjacent wall construction shall be accomplished with 2 1/2" stainless steel vandal resistant screws and plastic anchors.
- C. Pilaster shoes shall be stainless steel 5" high with a #4 satin finish. Pilaster shoes are anchored to the pilaster with #10 stainless steel vandal resistant screw.

PART-3 EXECUTION

3.01 PREPARATION

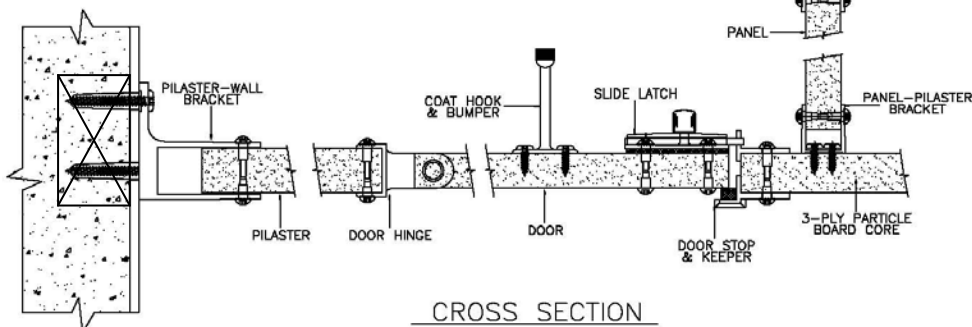
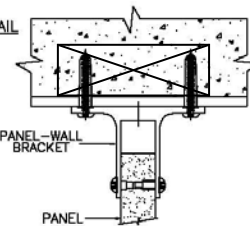
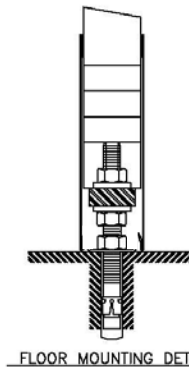
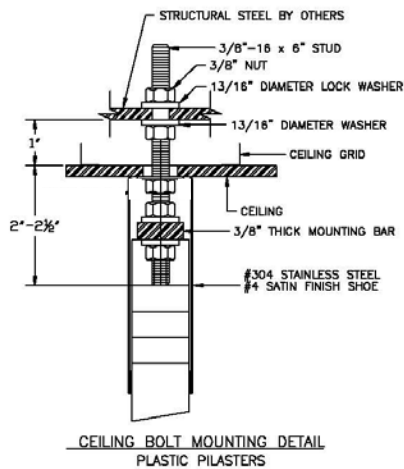
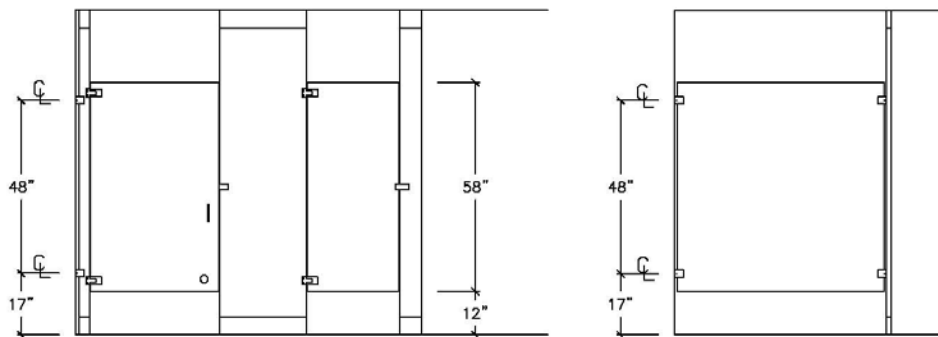
- A. Examine areas to receive toilet compartments for correct height and spacing of anchorage/blocking and plumbing fixtures that may affect installation of compartments. Report any discrepancies to the architect.
- B. Take complete and accurate measurements of toilet compartment locations.
- C. Start of work constitutes acceptance of job.

3.02 INSTALLATION

- A. Install compartments in a rigid, straight, plumb and level manner as shown on the shop drawings and manufacturer's installation instructions.
- B. All doors and panels to be mounted at 12" above the finished floor.
- C. Clearance at vertical edges of door shall be uniform top to bottom.
- D. No evidence of cutting, drilling and/or patching shall be visible on the finished work.
- E. Finished surfaces shall be cleaned after installation and be left free of all imperfections.

3.03 WARRANTY

- A. Global Partitions guarantees its plastic laminated units, properly maintained, against discoloration or delamination for 2 years from the date of receipt by the customer. If materials are found defective during that period for the reasons listed above, the material will be replaced free of charge. No credits or allowances will be issued for any labor or expenses relating to the replacement of components covered under the warranty plan. All such expenses are to be borne by the buyer.



CROSS SECTION
BLOCKING BY OTHERS