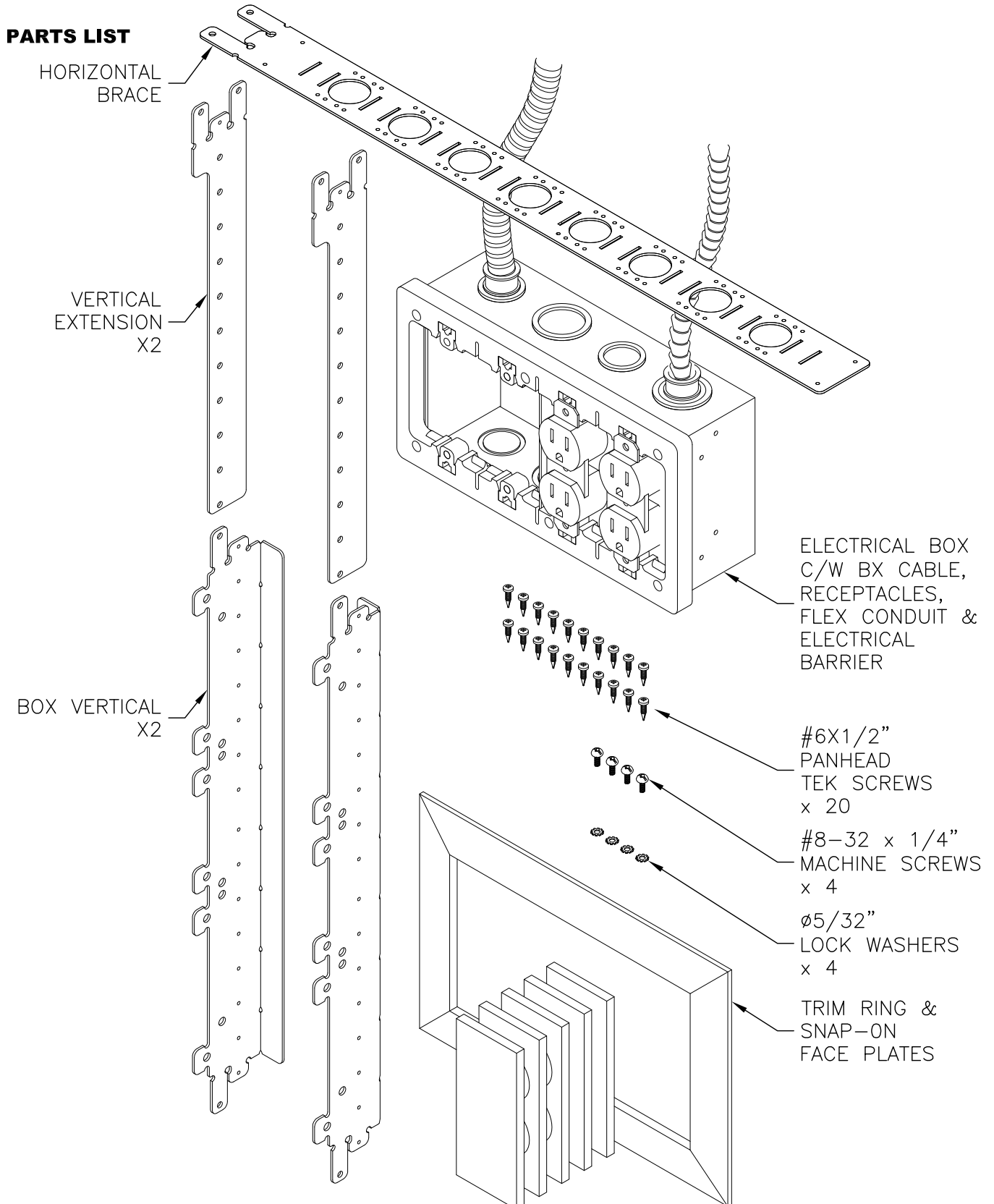


**EXECUTIVE SERIES
INSTALLATION INSTRUCTIONS
ELECTRICAL KIT FOR MODELS EXK-HUB1/HUB2/HUB4/HUB6**

PARTS LIST



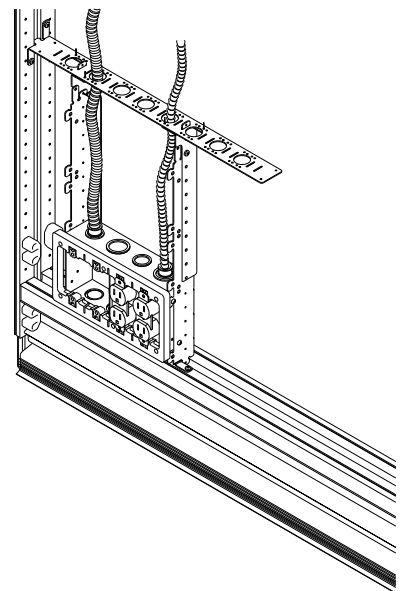
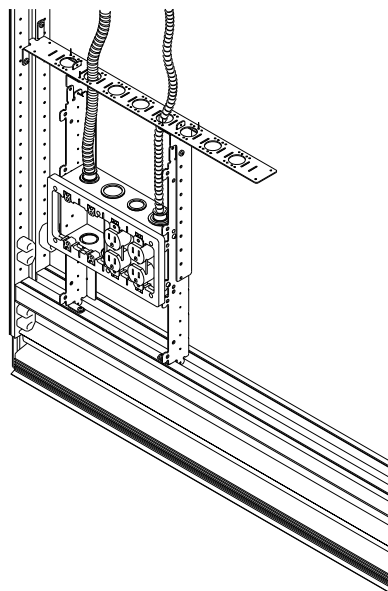
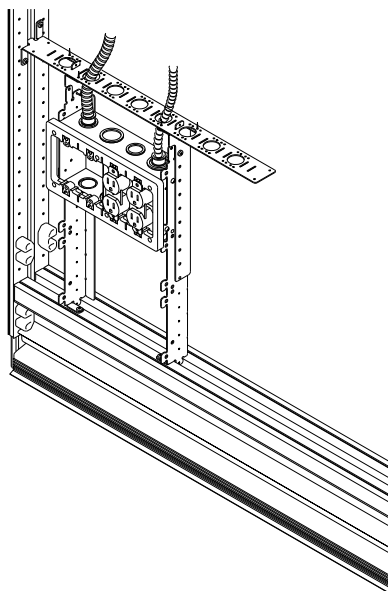
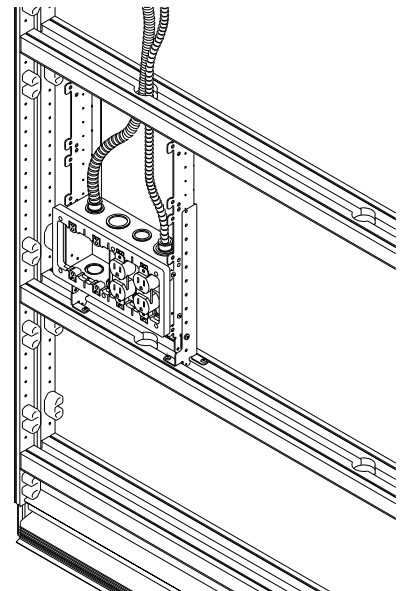
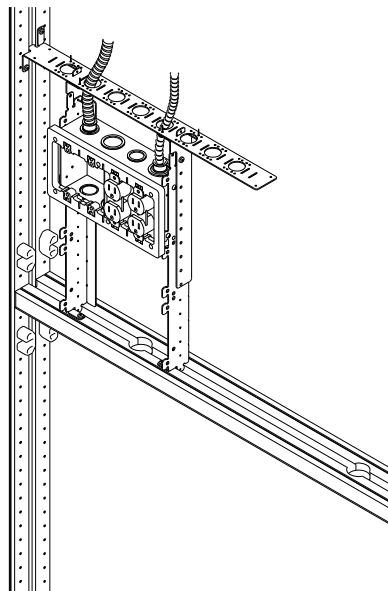
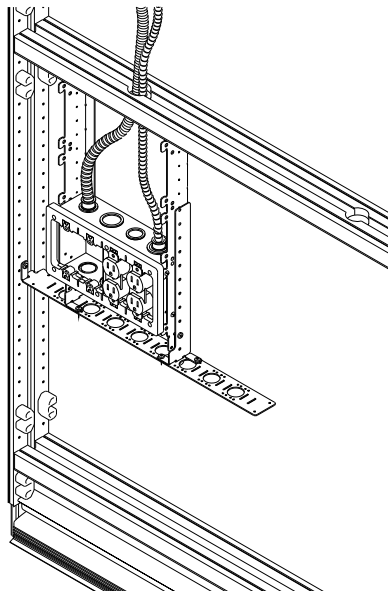
**EXECUTIVE SERIES
INSTALLATION INSTRUCTIONS
ELECTRICAL KIT FOR MODELS EXK-HUB1/HUB2/HUB3/HUB6 (continued)**

1. REMOVE FACE PANELS

Install the electrical box into an Executive frame before the face panels are installed.

2. DECIDE YOUR CONFIGURATION

The kit may be assembled and installed in one of many configurations, some of which are shown here. The kit, once assembled must be screwed to the frame at a minimum of 3 points.



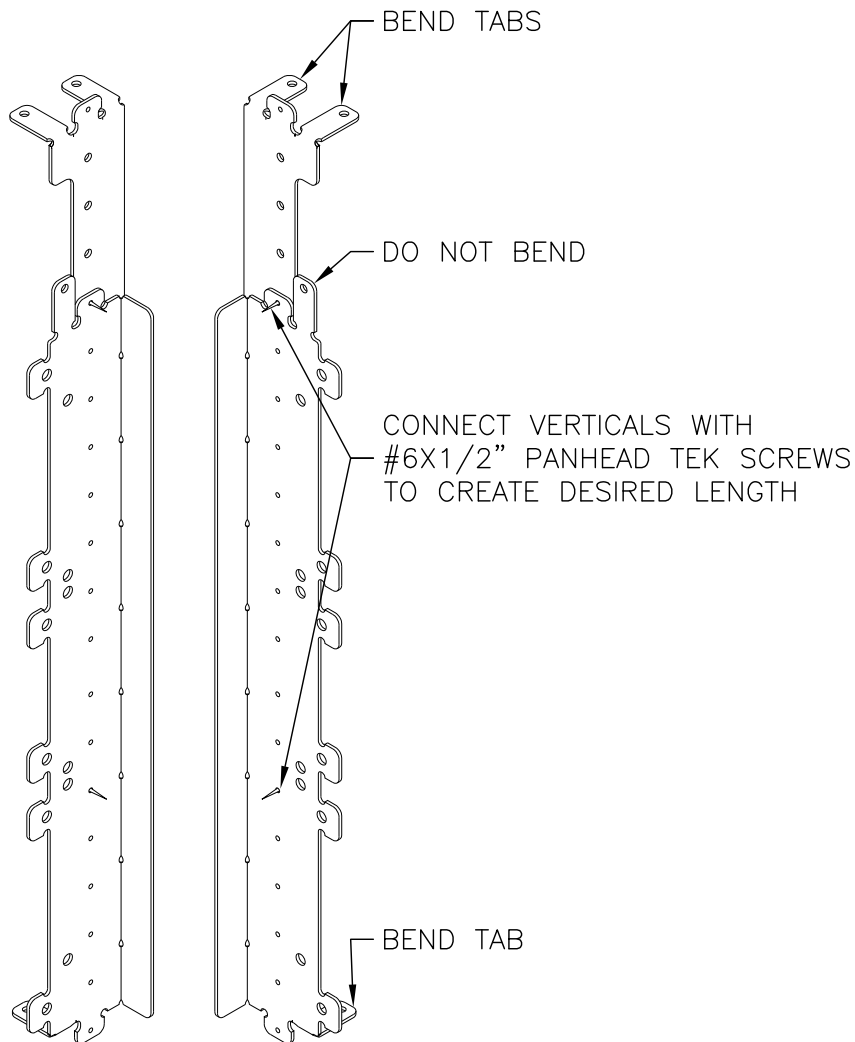
**EXECUTIVE SERIES
INSTALLATION INSTRUCTIONS
ELECTRICAL KIT FOR MODELS EXK-HUB1/HUB2/HUB3/HUB6 (continued)**

3. CONNECT VERTICALS

You will need 2 box verticals. Your chosen configuration may not need vertical extensions, but it can have up to 4. Assemble them to create a pair of verticals of the desired length, each of which is a mirror image of the other.

4. BEND TABS

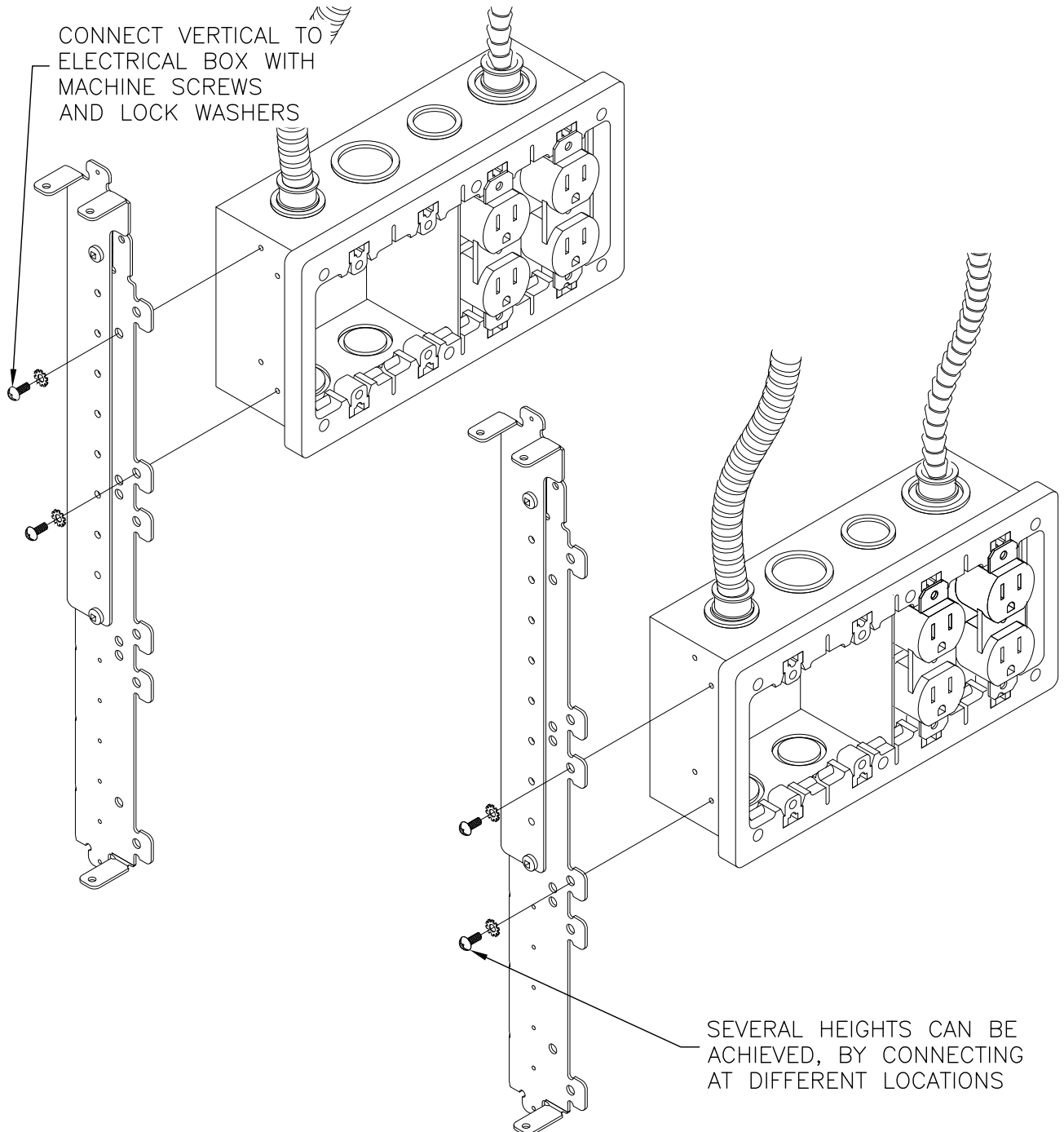
Bend the tabs at both ends of each assembled vertical to form right angles.



**EXECUTIVE SERIES
INSTALLATION INSTRUCTIONS
ELECTRICAL KIT FOR MODELS EXK-HUB1/HUB2/HUB3/HUB6 (continued)**

5. ASSEMBLE BOX WITH VERTICAL

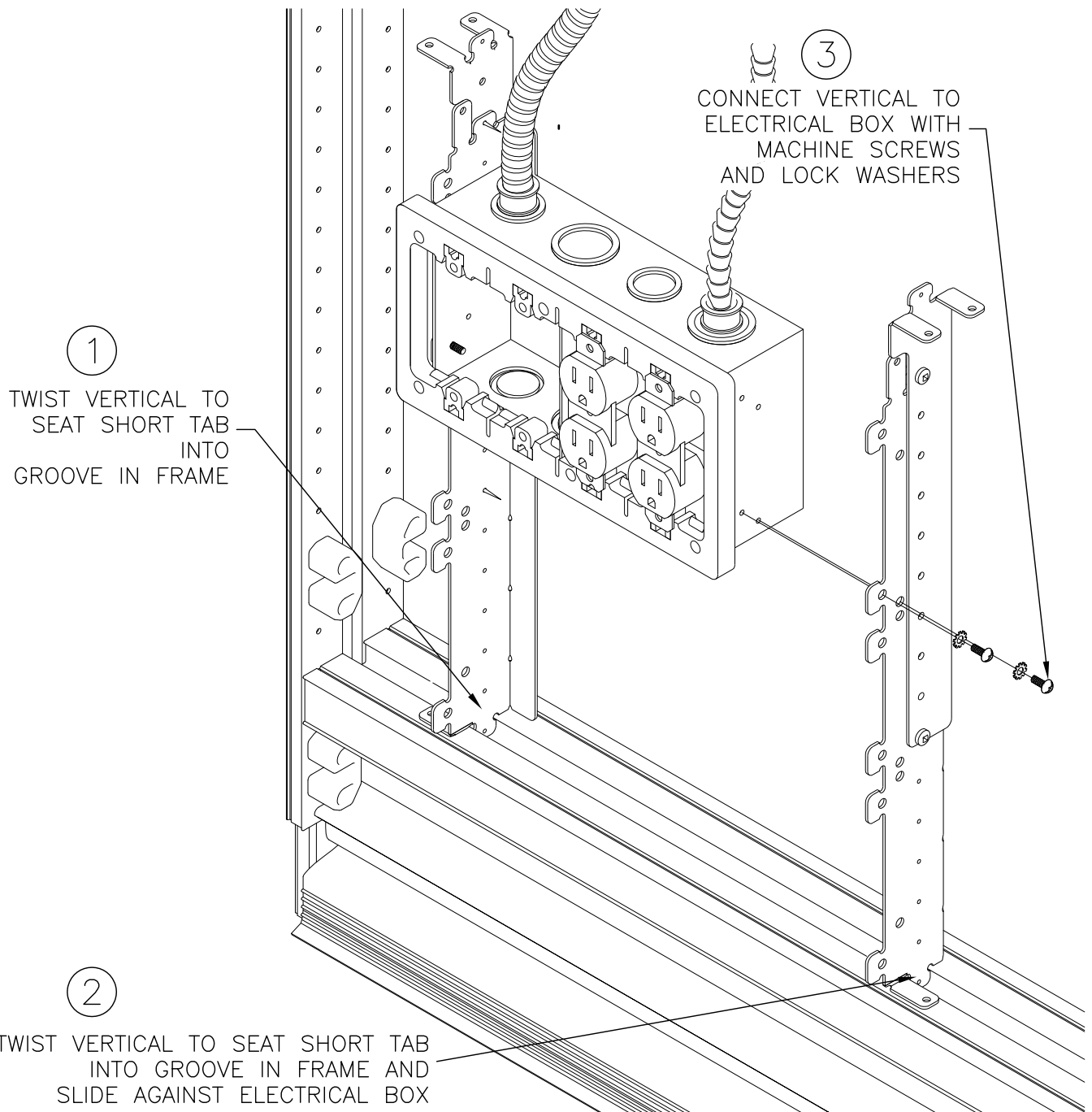
Keeping your chosen configuration in mind, connect the electrical box to one vertical with two machine screws and lock washers.



**EXECUTIVE SERIES
INSTALLATION INSTRUCTIONS
ELECTRICAL KIT FOR MODELS EXK-HUB1/HUB2/HUB3/HUB6 (continued)**

6. MOUNT LOOSELY INTO FRAME

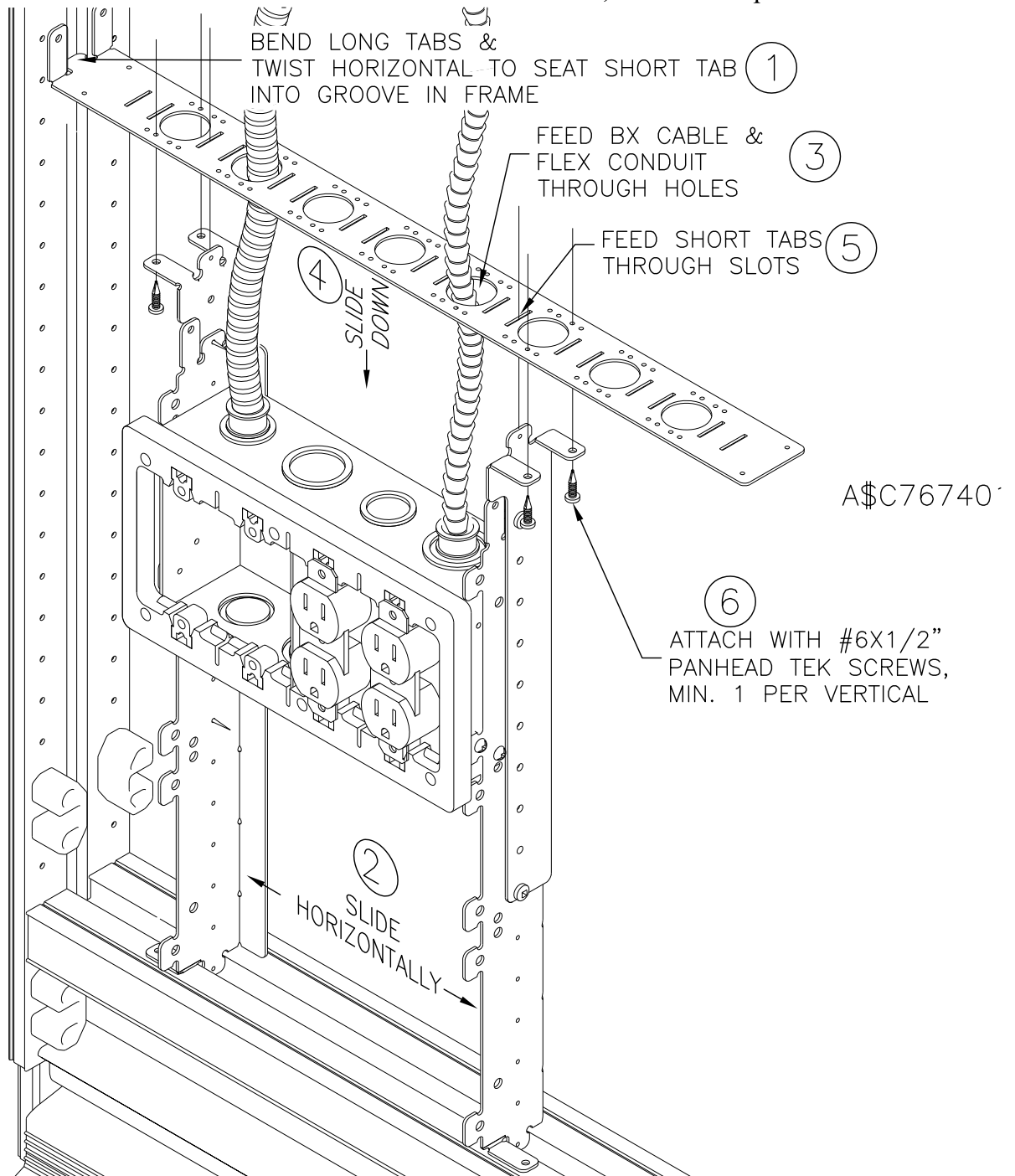
Place the short tab on the vertical (attached to the electrical box) into the groove in the horizontal frame. You will need to angle it slightly to get it in, and twist it to seat it properly. Twist the other vertical into the frame in a similar manner, and attach it to the electrical box using two machine screws and lock washers.



**EXECUTIVE SERIES
INSTALLATION INSTRUCTIONS
ELECTRICAL KIT FOR MODELS EXK-HUB1/HUB2/HUB3/HUB6 (continued)**

7. ATTACH HORIZONTAL BRACE

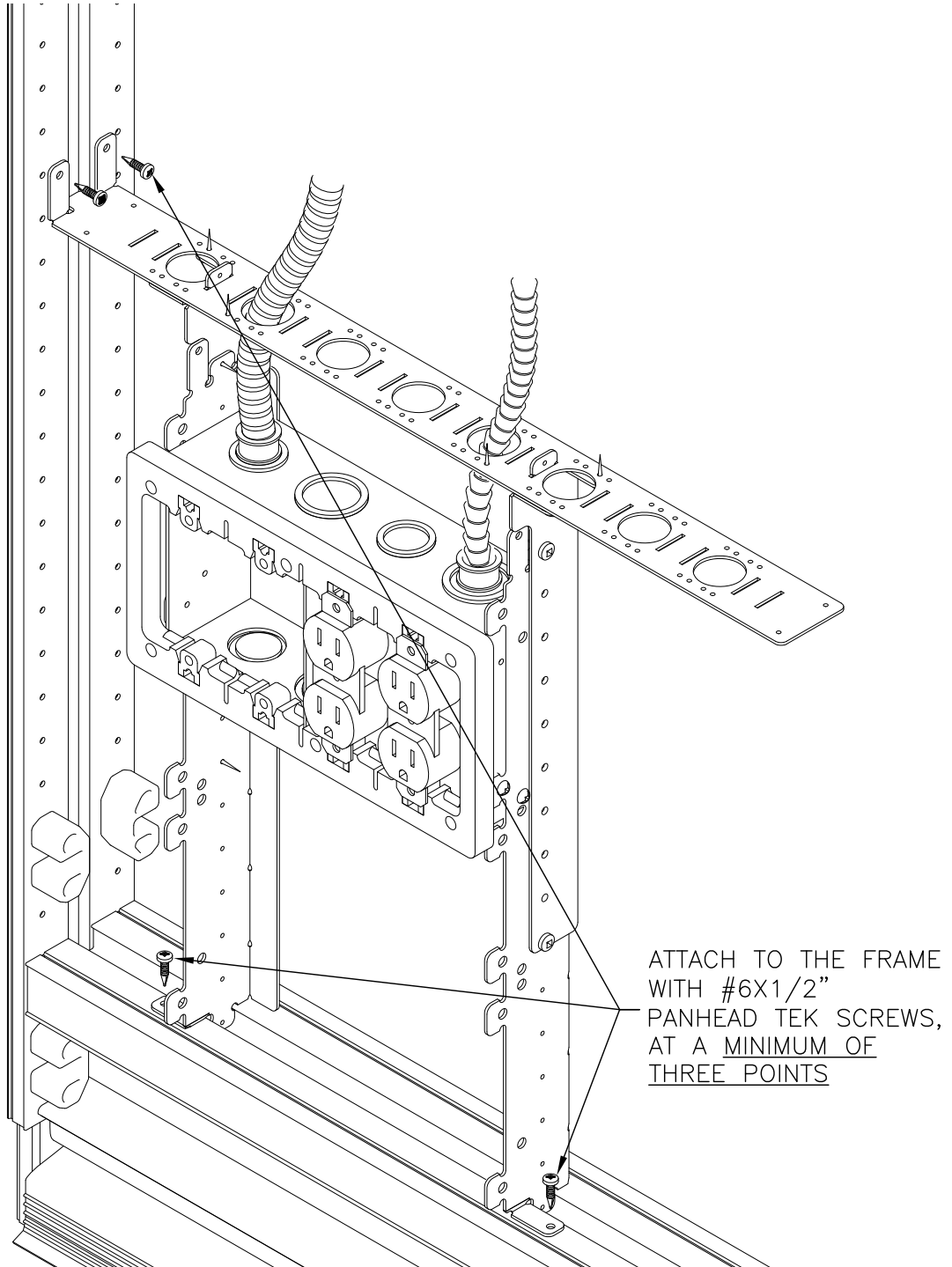
Bend the long tabs on the horizontal brace, and twist the short tab into the groove in the vertical frame, as you did with the assembled verticals. According to your chosen configuration, slide the electrical box horizontally to the appropriate position, and feed the BX cable(s) through the appropriate holes on the horizontal brace and the short tabs, on the verticals, through the correct slots. Attach the verticals to the horizontal brace with TEK screws, minimum 1 per vertical.



**EXECUTIVE SERIES
INSTALLATION INSTRUCTIONS
ELECTRICAL KIT FOR MODELS EXK-HUB1/HUB2/HUB3/HUB6 (continued)**

8. ATTACH ELECTRICAL KIT TO FRAME

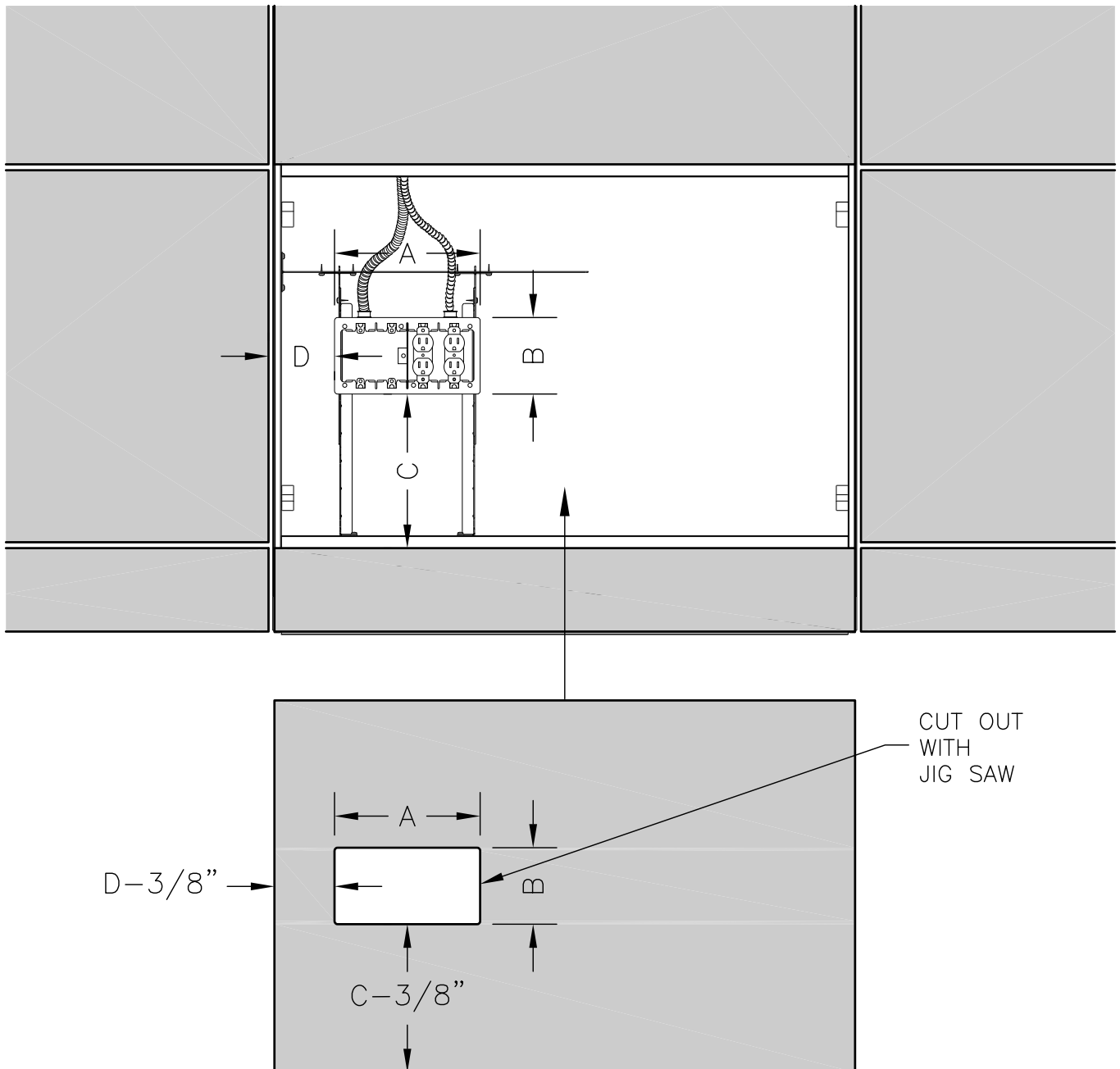
When you are certain the box is in the correct location, connect the kit to the frames with self-drilling TEK screws. The kit must connect to the frame at three points, minimum.



**EXECUTIVE SERIES
INSTALLATION INSTRUCTIONS
ELECTRICAL KIT FOR MODELS EXK-HUB1/HUB2/HUB3/HUB6 (continued)**

9. LOCATE CUT-OUT

Install the adjacent panels as usual. Measure from the panels to the box, and subtract 3/8" (for the gap between panels) from each dimension. On the back of the electrical panel, draw the cut-out according to your dimensions and cut out with a jig-saw before you install the panel.



**EXECUTIVE SERIES
INSTALLATION INSTRUCTIONS
ELECTRICAL KIT FOR MODELS EXK-HUB1/HUB2/HUB3/HUB6 (continued)**

10. TEST FOR FIT

Before you snap the panel into place, check that your cut-out will install properly over the electrical box. A perfect fit around the electrical box is not required, but the cut-out must fit under the trim ring.

11. CONNECT WIRING

Power wiring to be connected to building supply by Electrician.

12. FINISHING

Snap the panel into place. Install appropriate snap-on face plates and install the trim ring.

